

WHAT IS IT ?

A compact 800w RF dimmer for DALI digital fluorescents.

The unit is connected in-line before the first light fitting, to enable dimming of up to 800w of DALI dimmable loads.

Can also be used for other DALI control applications, such as DALI controlled low voltage transformers and DALI controlled LED transformers.

Controlled from any Rako RAKOM RF device, for example the RCP07W push button RF wall plate.

The RDDALI in-line RF 800w dimmer for DALI dimmable fluorescents



DIGITAL CONTROL

Designed to fit in a ceiling void or cupboard, the RDDALI dimming module can control up to 800 watts of DALI dimmable lighting loads. The unit can also be used for exterior lighting control applications, with the use of a weatherproof IP rated enclosure.

The robust microprocessor design combines smooth reliable dimming with dynamic safety features such as auto-resetting over current, temperature shutdown and voltage surge protection.

Programmed using either an RCP07 RF wallplate or the RASOFT PC software suite, the unit stores the house, room and channel address plus four preset scene levels in non volatile memory.

The RDDALI dimming module can be controlled from any Rako transmitter such as RCP wallplates, RAH hand helds, MB1 timeclocks and forms the foundation of any Rako scene-set system.

Unlike analogue 1-10v control, the DALI signal can switch the ballast or transformer fully off. This enable the control of more than 800w, by not using the mains switch output of the RDDALI and wiring the fittings to a permanent supply.

DATA SHEET

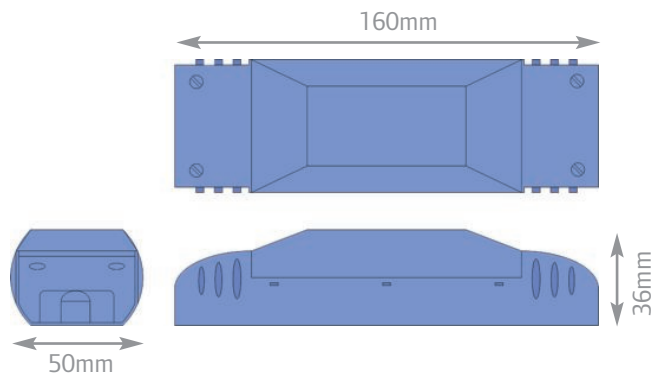
RDDALI

DALI FLUORESCENT DIMMER

TECHNICAL DATA

DIMENSIONS	160x50x36mm
INPUT SUPPLY	230V AC +/-10% 50Hz
WEIGHT	230g
HOUSING	UL V0 material
CLIMATE RANGE	Temperature +2C to +40C Humidity +5% to 95% non condensing
CONNECTIONS	4 way screw terminals for mains power 2 way screw terminals for DALI output
PROTECTION	Auto resetting over current protection Auto thermal shutdown Voltage surge protection
LOAD TYPES	DALI digital dimmable fluorescents DALI digital dimmable LV transformers DALI digital dimmable LED transformers
MINIMUM LOAD	-
MAXIMUM LOAD	800w or 25 DALI fittings if switch output of RDDALI not used
TERMINAL SIZES	1.5mm ² - Stranded 2.5mm ² - Solid
STANDARDS	EMC - EN 5001-1 :1992 Immunity - EN 50082-1 :1997
COMMUNICATION	Rakom coded fm radio, 433.9MHz
MEMORY	Flash memory (non volatile)

MECHANICAL DATA



CONNECTION DETAILS

